



**INSTALLATION  
INSTRUCTIONS**

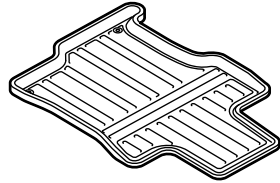
Accessory  
**FLOOR MAT (ALL SEASON)**  
P/N 08P13-TE0-100

Application  
**8TH GEN ACCORD  
2-DOOR**

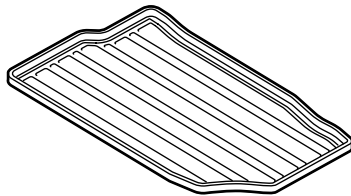
Publications No.  
**All 42243**  
Issue Date  
**AUG 2009**

**PARTS LIST**

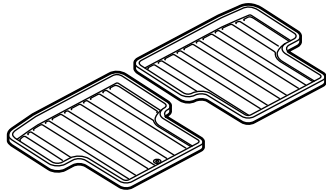
Driver's side front floor mat



Passenger's side front floor mat



2 Rear floor mats



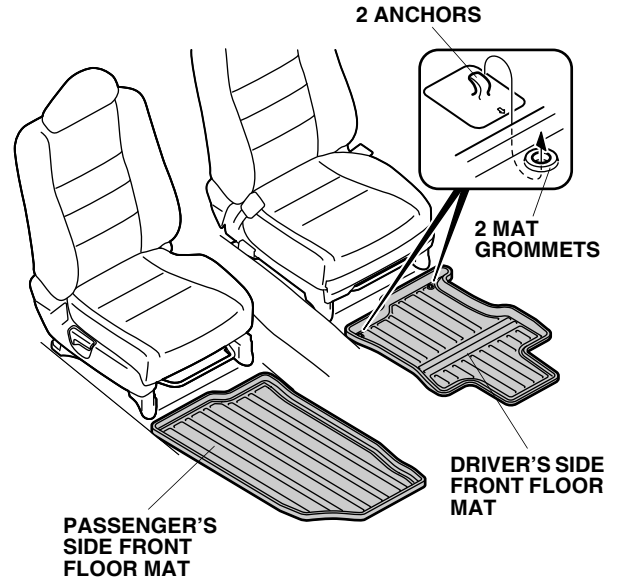
**INSTALLATION**

**NOTE:**

- Before installing, identify each floor mat.
- Remove the standard floor mats before installing these floor mats.
- The floor carpet anchors standard equipment are required for the driver's side of the vehicle; the anchor prevents the driver's side floor mat from sliding forward and interfering with the pedals.
- If you remove the floor mat, make sure you re-anchor it when you put it back in your vehicle.

**Installing the Floor Mats**

1. Install the driver's side front floor mat by placing the two mat grommets over the two anchors on the floor carpet.
2. Install the passenger's side front floor mat.



3. Install the rear floor mat (Left side).
4. Install the rear floor mat by over the placing the mat grommet over the anchor on the floor carpet (Right side).

