



**INSTALLATION
INSTRUCTIONS**

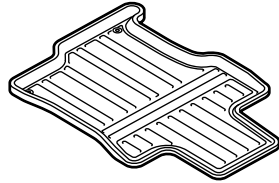
Accessory
FLOOR MAT (ALL-SEASON)
P/N 08P13-TA0-100

Application
**8TH GEN ACCORD
4-DOOR**

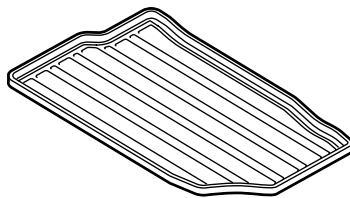
Publications No.
All 42263
Issue Date
AUG 2009

PARTS LIST

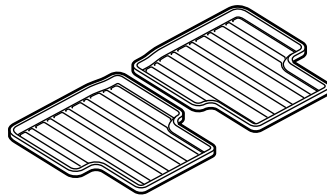
Driver's side front floor mat



Passenger's side front floor mat



2 Rear floor mats



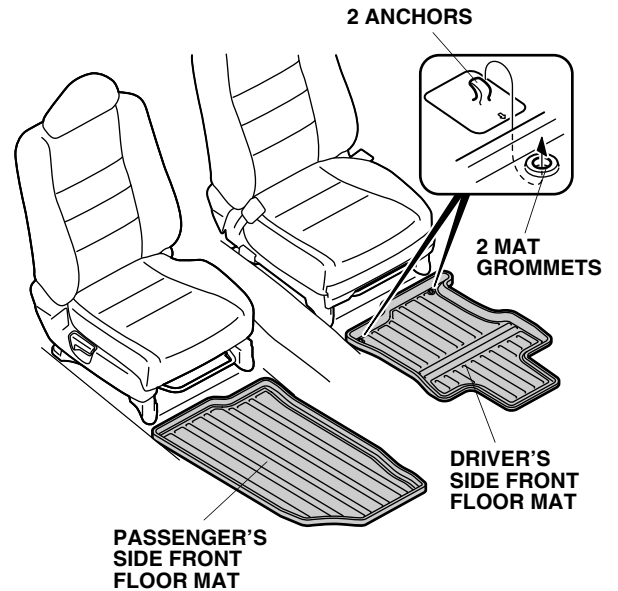
INSTALLATION

NOTE:

- Before installing, identify each floor mat.
- Remove the standard floor mats before installing these floor mats.
- The floor mat anchors are required on the driver's side of the vehicle; the anchors prevent the driver's side floor mat from sliding forward and interfering with the pedals.
- If you remove the floor mat, make sure you re-anchor it when you put it back in your vehicle.

Installing the Floor Mats

1. Install the driver's side front floor mat by placing the two mat grommets over the two anchors on the floor carpet.
2. Install the passenger's side front floor mat.



3. Install the two rear floor mats according to the mark, LEFT REAR and RIGHT REAR, imbedded on the under side of the rear floor mat.

