



## INSTALLATION INSTRUCTIONS

Accessory  
**PREMIUM FLOOR MATS**  
 P/N 08P16-SDN-111  
 P/N 08P16-SDN-121

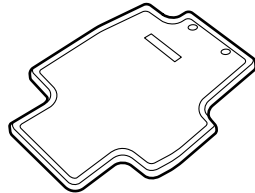
Application  
**2003-2007 ACCORD**  
**2-DOOR**

Publications No.  
**All 32684**  
 Issue Date  
**JULY 2006**

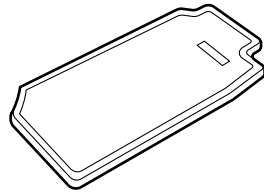
Put this information in the glove box with the vehicle owner's manual.

### PARTS LIST

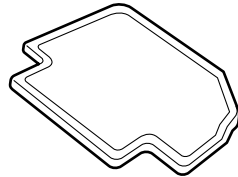
Driver's side floor mat



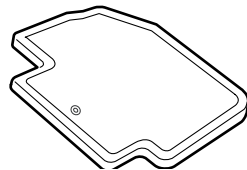
Passenger's side floor mat



Left rear floor mat



Right rear floor mat

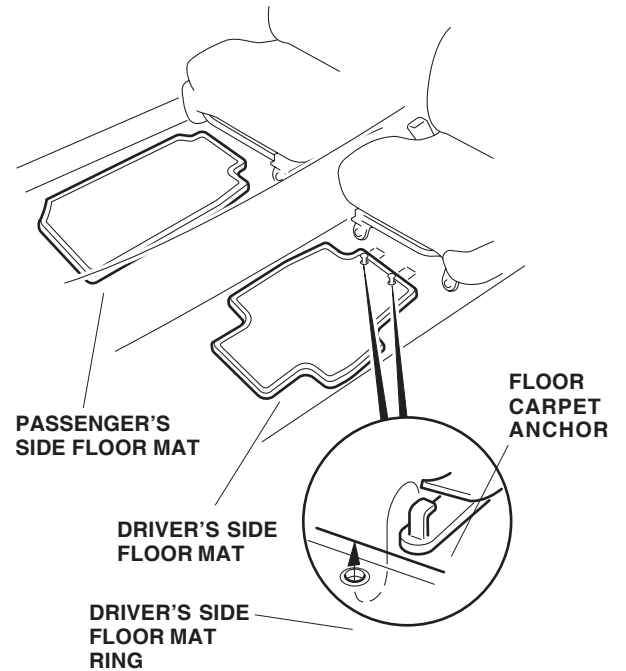


### INSTALLATION

#### NOTE:

- Remove the standard floor mats before installing these floor mats.
- Before installing, identify each floor mat.
- The floor mat anchors are required for the driver's side of the car; the anchor prevents the driver's side floor mat from sliding forward and interfering with the pedals.

1. Install the driver's side floor mat by placing the rings in the floor mat around the two anchors on the floor carpet.



2. Install the passenger's side floor mat by placing the ring in the floor mat around the anchor on the floor carpet.
3. Install the rear floor mats on the floor carpet.

